

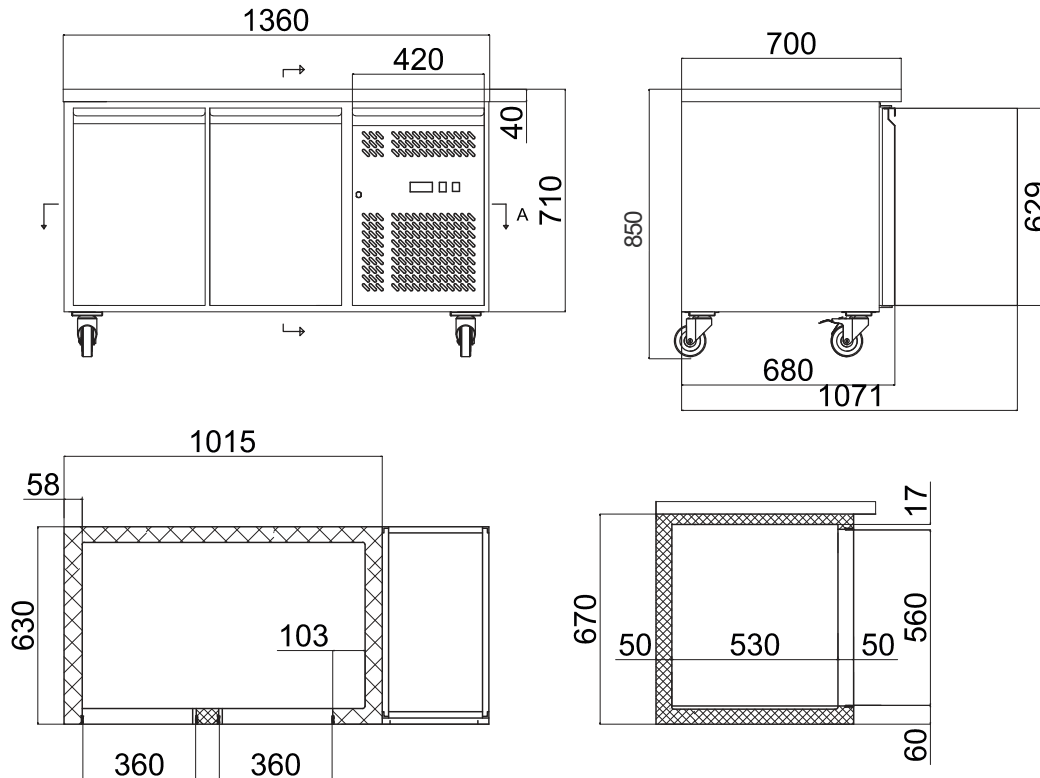
Under Bench Freezer 282L - 2 Doors - Stainless Steel

| Bar Fridges & Freezers



Under Bench Freezer 282L - 2 Doors - Stainless Steel

| Bar Fridges & Freezers



SPECIFICATIONS

Model Number	UBF1360SD-NR
Part Number	3736230-NR
Volume	282L
Unit Weight	109kg
Packaged Weight	114kg
Adjustable Temp. Range	-22°C to -18°C
Max. Ambient Temp.	38°C
Climate Class	4L1
Energy Consumption	8.01kWh/24h
GEMS Star Rating	2 stars
Refrigeration Capacity	774W
Refrigerant	R290
Rated Current	4.5A
Electrical Voltage	220-240V
Frequency	50Hz
Power Supply	Single Phase
Power Plug	1 x 10A
Plug Location	Bottom Right

Cord Length	2.5m
Colour	Stainless Steel
Internal Light	No
No. of Doors	2
Door Type	Solid
Door Style	Hinged
Door Lock	No
Self-Closing Door	Yes
Door Swing Dimension	371mm
Total Depth of Door Open	1071mm
No. of Shelf Tiers inc base	3
Shelf Type	Adjustable
Shelves Dimensions	333(w) x 530(d) mm
Temp. Controller	Digital
Castors	Yes
Warranty	5 Years Bromic Extra Care Warranty – Labour and Parts

DIMENSIONS

External (mm)	
Width	1360
Depth	700
Height	850
Internal (mm)	
Width	902
Depth	530
Height	589
Packaged (mm)	
Width	1390
Depth	730
Height	910